

Sample gas probe GAS 222.10

In many applications gas analysis is the key for safe and efficient control of process flows, environmental protection and quality assurance. In extractive gas analysis the location of the gas sampling point is crucial for the reproducibility and accuracy of the analysis results.

The specific filter capacity, corrosion resistance and functional equipment requirements for the probe arise from the composition of the sample gas.

However, operating costs are also an important criterion in the selection, as the sampling points are frequently located at hard to access points in the system. Effective particle filter backwashing options and low maintenance characterise the extensive GAS probe series.

Unheated probe with downstream filter for indoor installation.

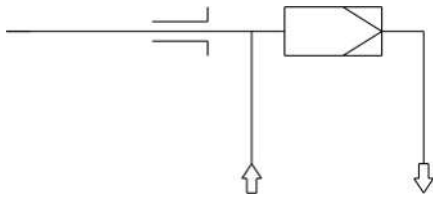
The filter element can easily be removed by turning the handle 90°

For dust loads up to 2 g/m³

The probe is suitable for use in explosive areas



Flow chart



Technical Data

Gas Probe Technical Data

Operating temperature:	max. 200 °C
Max. operating pressure:	6 bar
Parts in contact with media:	Flange: 1.4571 Seals: Graphite/1.4404 and see filter

Ordering instructions

The item number is a code for the configuration of your unit. Please use the following model key:

4622210	0	9	9	0	0	X	0	0	9	9	9	9	9	9	9	Product Characteristics	
																Flange/approval	
																DIN DN65 PN6	
																Power supply sample probe	
																none	
																Calibrating gas connection	
																0	No calibrating gas connection
																1	6 mm
																2	6 mm + check valve
																3	1/4"
																4	1/4" + check valve

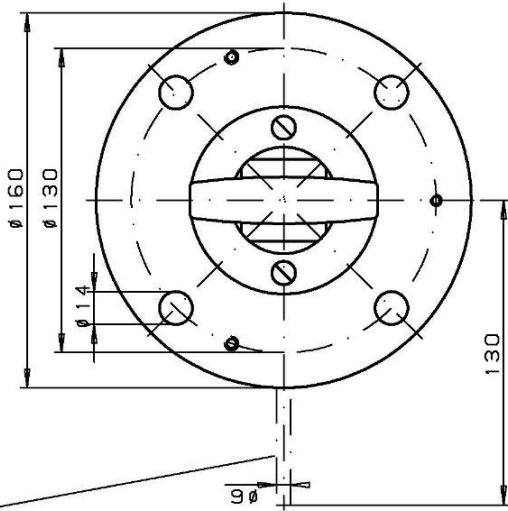
Options

The base unit becomes functional by adding accessories suitable for the application. Please refer to accessory data sheet no. 461099 for information.

Please also refer to data sheet no. 461000 "GAS 222 Gas Probes" for a general description.

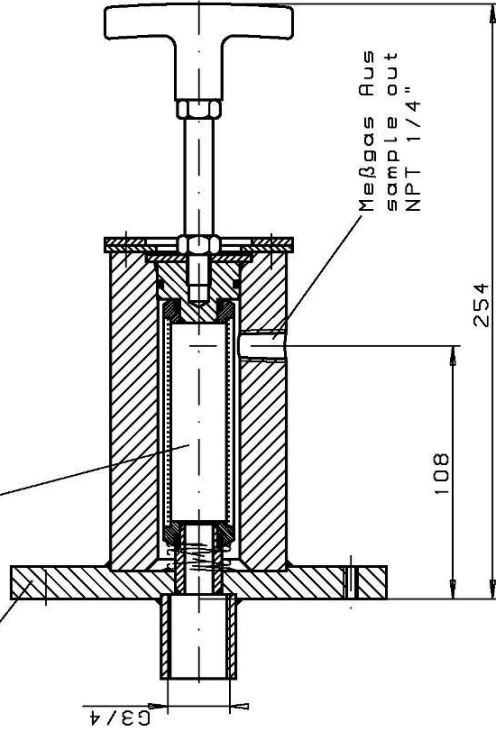
Dimensions

Option Kalibriergasanschluß Ø6/
option calibration gas port Ø6



Flansch/flange DIN 2527 DN65 PN6

Filter/filter
Zubehör/accessories



Werkstoffe/materials
-Flansch, Kopf/flange, head
Betriebstemp. Sonde/operating temp. probe

GAS 222.10

1.4571/SS 316TI
max. 200°C / 392°F

ALLE RECHTE VORBEHALTEN	Maße ohne Toleranzangabe nach ISO 2768-mK	Maßstab 1:2 Herbstoff:
	Datum, Name	Benennung:
	Bearb. 29.04.97/Br-inteam	Gasentnahmesonde
	Gepr.	sample gas probe
e 1x 19.04.09/Br		GAS 222.10
d 2x 28.09.01/Br		Zeichn.-Nr. 46/060-01-3E
c 2x 20.10.98/Br		Art.-Nr. 4622210
b neu 02.07.98/Br	BUHLER	
a 1x 06.09.97/Br	Meß+regeltechnik Ratingen	
Zust. Hnd., Datum, Name	Erw. für 46/060-01-4	ARBEITSANLEISUNG: